

INP-58M2812M0A

SKU: 234752



Netzwerk Dome, PTZ, 4x 3840x2160, Tag/Nacht, WDR, AI, Alarm, Audio, 12V, PoE, IP66

Main Features

1/2.7" CMOS sensor, maximum resolution 8 MP/30fps

AI analysis functions including object classification

D-WDR, 3D-DNR noise reduction

Motorized varifocal lens 2.8-12mm

Smart Codec H.265/H.264, multi-streaming

Browser independent (IE, Edge, Safari, Firefox, Chrome)

Supports ONVIF Profile S and Profile T

Local storage via Micro SD card

Supports audio and external alarm input and output

Power supply 12VDC or PoE IEEE 802.3af

IR LED lighting, IP66, deterrent (light & siren)

Wall and ceiling mounting included

Specifications

Series	eneo IN-Series
Camera:	
Camera type	PTZ
Sensor size	1/2.7"
Resolution Standard	8 Megapixel
Imager	CMOS, SmartSens,SC8238
System	True Day&Night
Sensitivity	0,009 Lux, at F1.6
Low Speed Shutter	yes
Manual electronic shutter (MES)	1/5 ~ 1/20.000sec.
Automatic electronic shutter (ESC)	1/5 ~ 1/20.000sec.

INP-58M2812M0A

Continuation of the specifications

Wide Dynamic Range (WDR)	D-WDR
Flickerless function	yes
Backlight Compensation	BLC,HLC
Day&Night switch	ICR
Day&Night mode	auto,day,night,Image,time
White balance	automatic>manual
Video:	
Resolution	3840x2160 (16:9),2592x1944 (4:3),2592x1520 (16:9),2304x1296 (16:9),1920x1080 (16:9),1280x960 (4:3),1280x720 (16:9),640x480 (4:3),320x240 (4:3)
Image resolution max.	3640x2160
Image display	16:9,4:3
Stream types	Triple-Stream(Main/Sub/Mobile)
Image Transmission Rate	25 fps
Video compression	H.264,H.265,H.264+ (Smart Stream),H.265+ (Smart Stream),M-JPEG
Lens:	
Lens Type	Varifocal (motorized)
Focal Length	2,8 - 12 mm
Digital Zoom	yes
MOD (Minimum Object Distance)	0,8 m
Iris Control	DC
Vertical Angle of View	58,4 - 17,6°
Horizontal Angle of View	113 - 31,4°
DORI:	
Detect (25px/m)	90 - 346,2 m
Observe (62 px/m)	35,6 - 139,4 m
Recognize (125 px/m)	17 - 68,6 m
Identify (250 px/m)	8,2 - 35,2 m
Functions:	
Multicast compliant	yes
Motion Detector	yes
Analysis functions	intrusion,Line detection,Object classification (person / vehicle),Object left,removed,trip wire detection with counting and direction detection,Crowd detection,Queue management,Heatmapping,number plate recognition,audio detection,face detection
Alarm processing	recording internal storage,E-Mail,HTTP,FTP,TCP,UDP,Red & blue flashing lights,Audio warning message
Presets	255 presets
Home position	n/a
Tours	n/a
Rotation range	355°

INP-58M2812M0A

Continuation of the specifications

Speed (manual)	0.6° to 45°/s°/Sek.
Speed (preset)	0.6° to 45°/s°/Sek.
Audio support	yes
Audio	2 Way Audio,built-in loudspeaker,built-in microphone
Password protection	administrator & users
Internal storage	microSDHC card,microSDXC card
Menu languages	English,German,French,Italian,Portugese,Spanish,Turkish,Russian,Japanese
Privacy zone masking	Areas-ON/OFF switchable
Remote configuration	web browser
Web browser	MS Internet Explorer 10/11,Safari V12.1 above,Firefox V.52 above,Google Chrome V.57 above,Edge V.79 above
Mirror function	flip,mirror
Digital Noise Reduction	yes
Digital noise reduction (DNR)	3D-DNR
Network:	
Network protocols	TCP/IP,HTTP,DHCP,DNS,DDNS,RTP,RTSP,SMTP,NTP,UPnP,SNMP,HTTPS,FTP
Interfaces / Inputs/ Outputs:	
External connectors	RJ-45,micro SD card slot,12VDC input (DC plug),connection cable approx.45cm
Ethernet interface	10Base-T,100Base-TX
Alarm inputs	no
Alarm outputs	no
Serial interfaces	Ethernet
General:	
Dimensions (HxWxD)	166,75x238mm
Weight	920g
Illumination	infrared
Illumination	4x High Power LEDs 850nm
Illumination range	approx. 30m
Color (housing)	RAL9003,Pantone P 179-1,black
Housing	outdoor
Hosuing material	aluminium
Heater	no
Integrated wall mount	no
Camera Type	License plate recognition,Retail Intelligence,People Count,Face recognition
Power consumption	13W
Blower	no
Mounting	wall mount,ceiling mount
ONVIF	ONVIF Profile G,ONVIF Profile S,ONVIF Profile T

INP-58M2812M0A

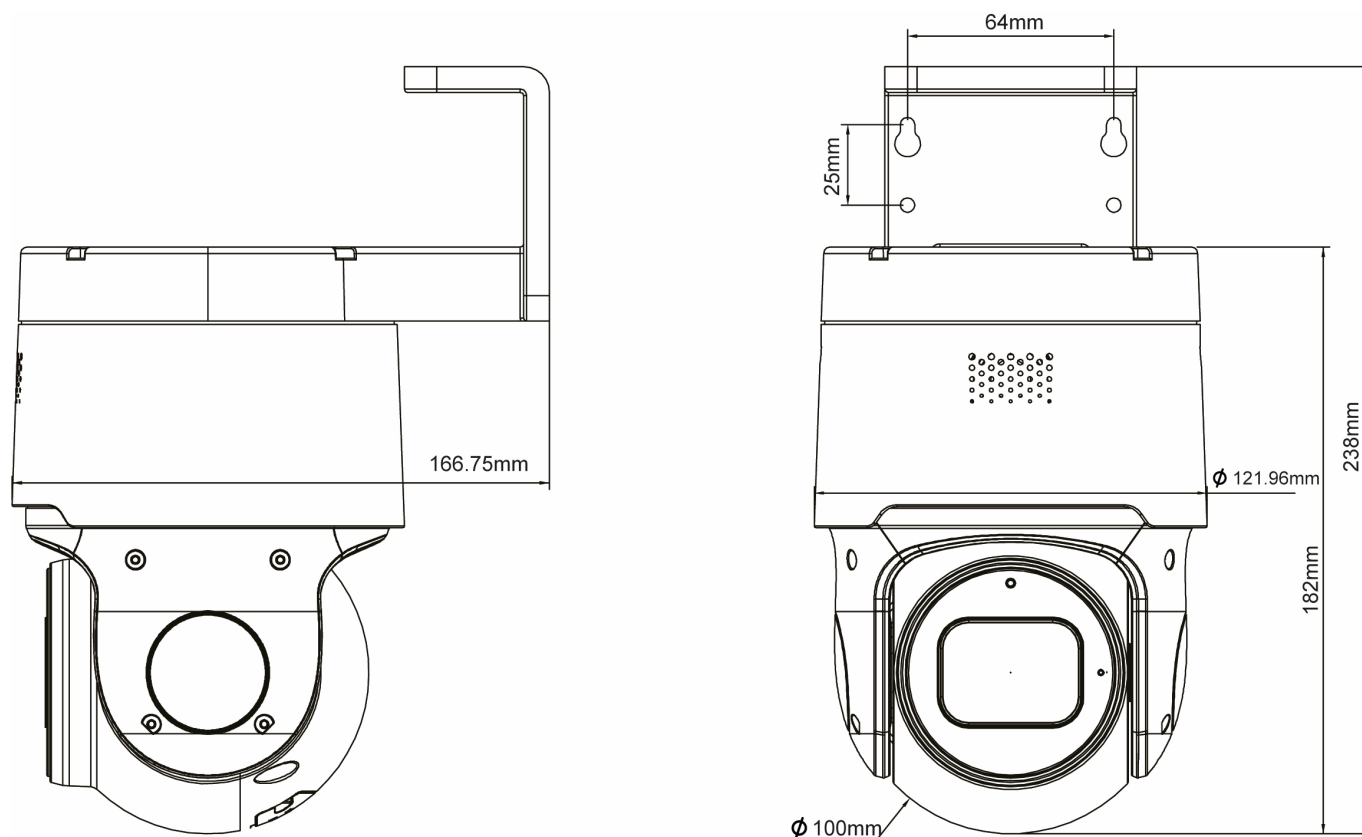
Continuation of the specifications

Protection rating	IP66
Sunshield	no
Supply voltage	12VDC,PoE
Operating temperature	-30°C ~ +60°C
Text display	ON/OFF switchable
Vandal proof	no
Parts supplied:	
Parts supplied	manual,wall bracket,bag of screws
Remarks	NDA compliance under Section 889, Part A.

Optional Accessory

SKU	Name	Description
218218	eneo Site Manager	Management Software for eneo IP products

Technical Drawing



eneo is a registered trademark of
 VIDEOR E. Hartig GmbH
 Carl-Zeiss-Straße 8
 63322 Rödermark, Deutschland

Phone: +49 6074 - 888 - 300
 Fax: +49 6074 - 888 - 100
 E-Mail: info@eneo-security.com
 Web: www.eneo-security.com

Maße / Dimensions: Stay tuned to the eneo newsletter

